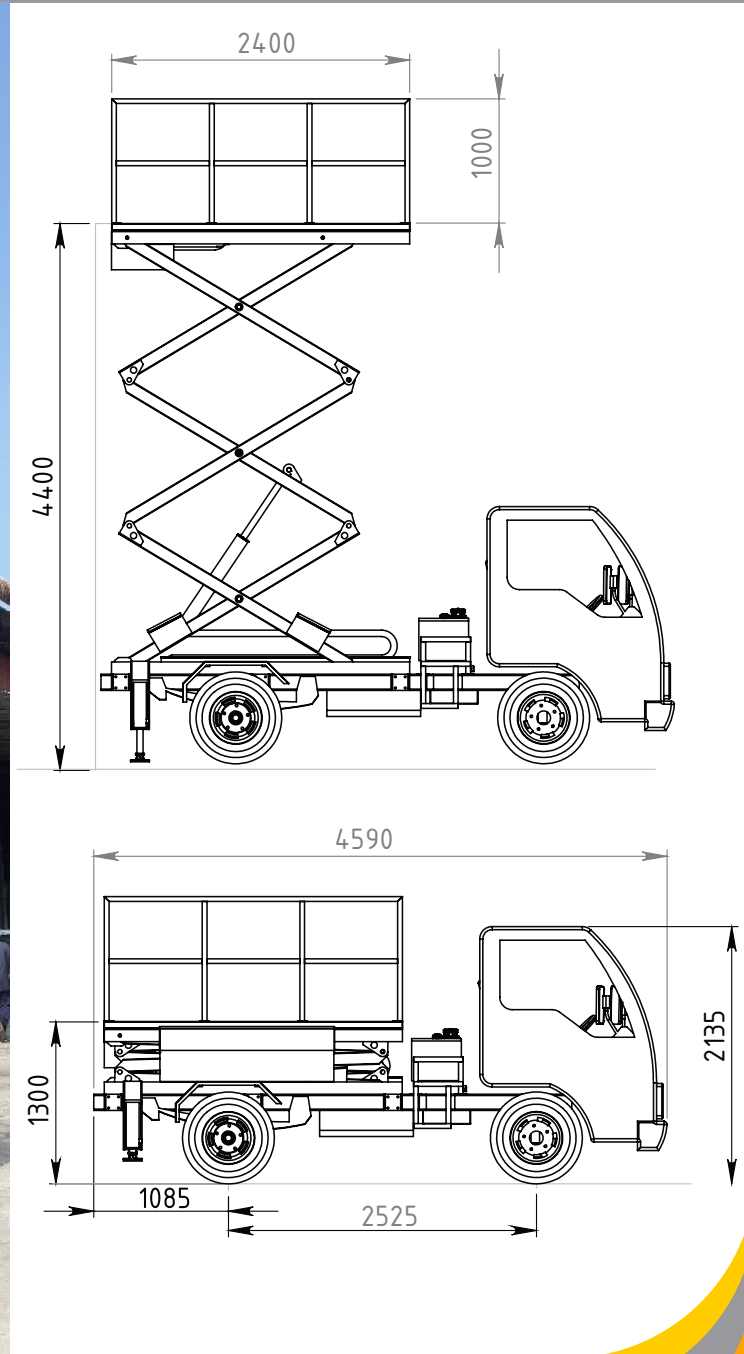


AGRI 4000

Aircraft Maintenance Truck



AGRIQUIP

LOT 5936, JALAN SALAK TINGGI-BANTING, RTB BUKIT CHANGGANG, 42700, BANTING SELANGOR, MALAYSIA

Tel: +603-31491133, +603-31491103, +603-31491105

Fax: +603-31491101

Web: www.agriquip.net Email: info@agriquip.net

AGRIQUIP
www.agriquip.net

One Stop GSE Provider.....

ITEM	MODEL CODE		XZU600J
ENGINE	MODEL		N04C-UY
	TYPE		Diesel, 4-cy.,vertical, 4-cyl. in-line, overhead valve, water cooled, direct Injection
	DISPLACEMENT		cc 4,009
	MAX OUTPUT (JIS GROSS)		kW(PS)/rpm 84.6 (115) / 2,800
	MAX. TORQUE (JIS GROSS)		Nm(kgfm)/rpm 324 (33) / 1,600
	BORE & STROKE		mm 104 x 118
	FUEL INJECTION SYSTEM		Electronic control Commonrail type
	AIR INTAKE SYSTEM		Turbo-intercooled, stack type
CLUTCH	MAX.ENGINE SPEED		rpm 3,000
	TYPE		Dry single plate, diaphragm type with damper spring
TRANSMISSION	DIAMETER		mm 300
	MODEL/NO. OF SPEED		M550 / 5-Speed / Manual
AXLE	TYPE		Five (5) forward and one (1) reversed, overdrive, synchromesh 1 st - 5 th
	RATIO (1st - TOP)		4.981 / 0.738
	FRONT	TYPE	Reversed Elliot, "I" section beam
		CAPACITY	kg 2,600
BRAKE	REAR	TYPE	Full floating, single reduction, single speed by hypoid gearing
		CAPACITY	kg 4,400
BRAKE	SERVICE BRAKE TYPE		Hydraulic system with ventilated disc for front wheels and drum brakes for rear wheels with auto brake shoe adjuster
	SERVICE BRAKE CONTROL		Vacuum servo hydraulic, dual circuits with Antilock Braking System (ABS) and power assist
	PARKING BRAKE TYPE		Mechanical, internal expanding, acting on transmission output shaft
	EXHAUST BRAKE TYPE		Electric-vacuum actuator with valve in exhaust pipe
SUSPENSION	FRONT	TYPE	Semi elliptic leaf spring with dual acting shock absorber and stabilizer
	REAR	TYPE	Semi elliptic main and auxiliary leaf spring with dual acting shock absorber
FRAME	FRAME WIDTH		mm 700
	HEIGHT x WIDTH x THICKNESS		mm 192 x 65 x 6.0
CABIN	TILTING		Mechanical Type
	STEERING		Telescopic & tilt steering column with locking device, recirculating ball with hydraulic booster, integral type
	HINO ARMTECH		Equipped
	POWER WINDOW		Equipped
	CENTRAL LOCKING		Equipped
	SEAT BELT		Equipped
WHEELS & TIRES	WHEEL TYPE		5 studs
	RIM SIZE		16 x 5.50F - 115
	TIRE SIZE		205/85R16
ELECTRICAL	TYPE		24V, Negative Earth
	BATTERIES		12V x 2, Series connection
	ALTERNATOR CAPACITY		24V - 60 Amps
FUEL TANK CAPACITY	L	80	
PERFORMANCE			
G.V.W Rating	kg	4,800	
PERFORMANCE	MAX SPEED		km/h 100 (*with Speed Limiter)
	GRADEABILITY		(tan Ø) % 40.3
TRANSMISSION RATIO	MODEL		M550
	1st		4.981
	2nd		2.911
	3rd		1.556
	4th		1.000
	5th		0.738
REAR AXLE	REVERSE		4.625
	MODEL		BD26A
	RATIO		4.625
DIMENSION & MASS			
CHASSIS MASS (with std tools set & spare tire)	FRONT AXLE		kg 1,365
	REAR AXLE		kg 650
	TOTAL		kg 2,015
DIMENSION	WHEELBASE	WB	mm 2,525
	OVERALL LENGTH	OL	mm 4,680
	OVERALL WIDTH	OW	mm 1,695
	OVERALL HEIGHT	OH	mm 2,135
	CAB TO AXLE CENTER	CA	mm 1,945
	FRONT OVERHANG	FOH	mm 985
	REAR OVERHANG	ROH	mm 1,135
	FRONT TREAD	FT	mm 1,440
	REAR TREAD	RT	mm 1,390
	TURNING RADIUS (ON TIRE)		mm 5,500
SEATING CAPACITY		3	

SCISSOR & PLATFORM	
Max Platform Height	4400mm from ground
Platform Cage	Polished stainless steel 2400(L) x 1030(W) x 1000(H)
Scissor Type	3 Stage with 1 single acting 90mm cylinder
Platform Type	Aluminium checker plate floor 4mm.Extendable 600mm backward.